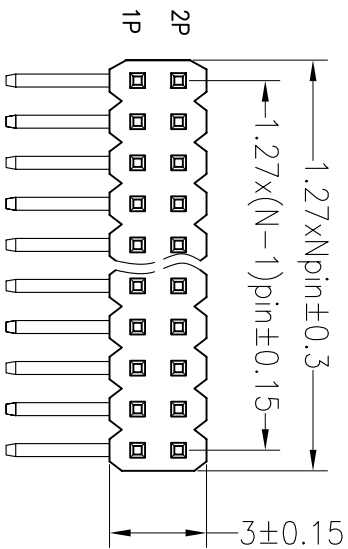


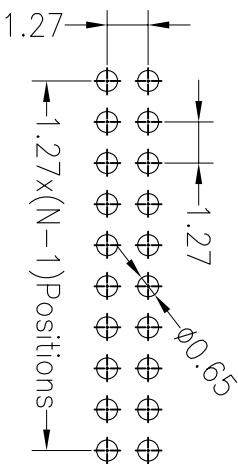
SPECIFICATIONS

Rated Current: 1.0AMP
 Contact Resistance: 20mΩ Max
 Withstand Voltage: 500V AC/DC
 Insulation Resistance: 1000MΩ Min
 Operation Temperature: -40°C to +105°C

Contact Material: Brass
 Contact Plating: Au or Sn Over Ni
 Insulator Material: Polyester (UL94V-0)
 Standard: PA6T
 Max. Processing Temp: 230°C for 30-60 seconds
 (260°C for 10 seconds)



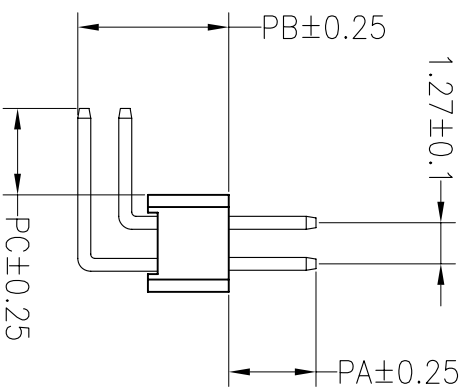
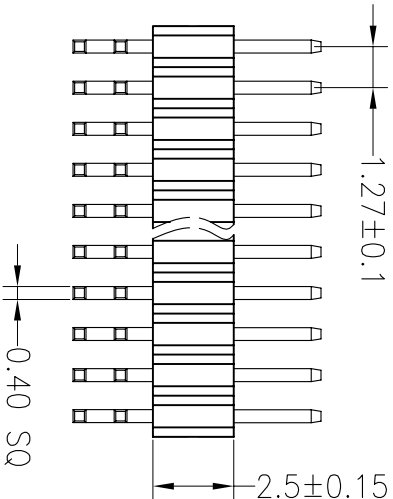
Recommended P.C.B Layout (Top Side)
 (PCB BOARD TOLERANCE ± 0.05)



Ordering Information

1425 12XX X N XX R XXX X 0X

No. of Pins Per Row: 01~50P
 Insulator Material Option:
 A=BK-PBT
 B=BK-PA66
 C=BK-PA6T
 D=BK-PA46
 F=BK-LCP
 Contact Plating:
 G0:0.8U" Gold
 G1:1.1U" Gold
 G2:1.5U" Gold
 G3:2U" Gold
 G4:3U" Gold
 G5:5U" Gold
 G6:10U" Gold
 G7:15U" Gold
 S0:Gold Flash/Tm
 SN:Tm
 Pin Length:
 A=Troy
 T=Tube
 P=Tube+Cap
 R=Reel+Cap
 M=Reel+Mylar
 Packing code:
 0=PE Bagg
 01~99 stream



Dimension antitheses list

ITEM	PA	PB	PC	L短	L长
Alternate	4.00	5.20	2.80	11.20	13.70
Standard					

JILIN 深圳市锦凌电子有限公司
 SHENZHEN JINLING ELECTRONIC CO.,LTD
 Tel: 86-755-2997-5806/5802 Fax: 86-755-2997-5992

A

REV	DATE	MODIFICATION DESCRIPTION	CHANGE
A0	2012.03.28	NEW DRAWING	
1			

A

OPERATION	DRAW	YTYuSheng	12.03.28
X.X	±0.30		
X.XX	±0.20	CHECK	
X.XXX	±0.10		
Angle	±3°	APPROVE	
DIM	TOL		

B

SCALE	FIT
UNIT	mm
SIZE	A4
SHEET	1/1
PROJ.	

C

PART NO.
142512XXXXXXX01

D

TITLE:
1.27PH H2.5mm 2XNpin 90°

E

F

G